



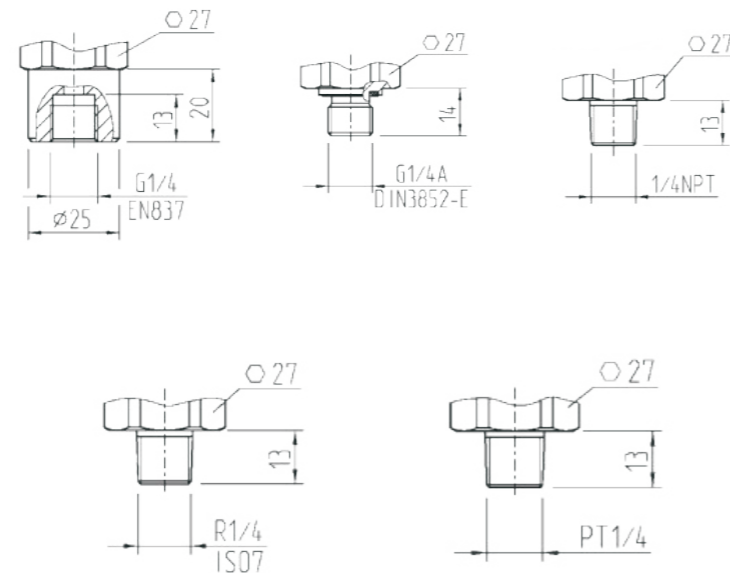
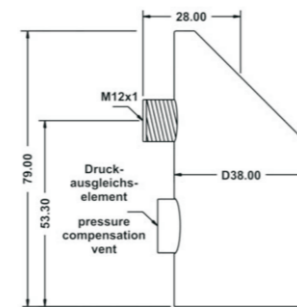
■ 电子数显压力开关 Digital indicator pressure switch

产品特性:

■ 带内置膜或者前置膜，可测量相对压力和绝对压力，一个或两个常开或常闭点，开关输出：P型或N型陶瓷和薄膜式压力测量单元，精度高，经久耐用，每个开关点的压力单位、开关点、零点、跨度都可由显示屏和相应按键来调节，LED显示屏可以显示出错状态，并按照DESINA标准显示，精巧、灵活。

Special features:

■ The ceramic and thin-film cells guarantee resistant pressure switches which are also highly accurate and extremely durable. The display and the programming key make it easy to carry out a menu-assisted configuration of the unit, switching point, zero point and span on-site. Switching output and LED can also be configured as a fault status display in accordance with DESINA. The variety of functions which can be carried out by this product means that it can be used as a pressure switch, pressure sensor and pressure display in all achieved with an incredibly compact design.



电子数显压力开关 Ordering Code

EDA-{1}-{2}-{3}-{4}-{5}-{6}

EDA:

		输出信号 Signal output
1	10	1个开关量输出 1 switching output
	20	2个开关量输出 2 switching output
	11	1个开关量输出,1个模拟量输出 1 discrete output, 1 analog output
2	21	2个开关量输出,1个模拟量输出 2 discrete output, 1 analog output
	精度 Accuracy	
2	1	1.00%
	2	其他 others
		量程 Measuring range
3	1	见表格一 see table 1
	2	其他 others
		压力接口 Process connection
4	G	DIN标准 平管螺纹G (例: G12=G1/2;G14=G1/4)
	999	其他 others
		电气接口 Electrical connection
5	1	Round connector M12*1
	2	Other see table 3
		优化选型 Optional
6	ZZ	No
	999	其他 others