



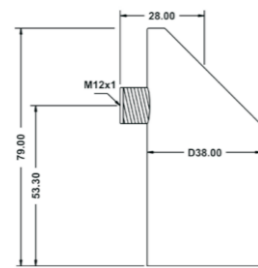
■ 电子数显温度开关 Digital indicator temperature switch

产品特性:

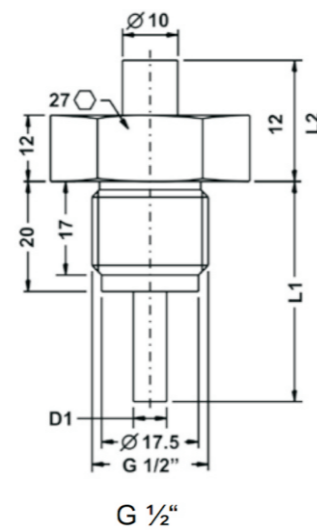
■ 精度高经久耐用。每个开关点的温度单位、开关点零度、跨度可由显示屏和相应按键来调节，一个开关点，LED显示屏可以显示出错状态，并按照DWSINA标准显示，精巧、灵活。

Special features:

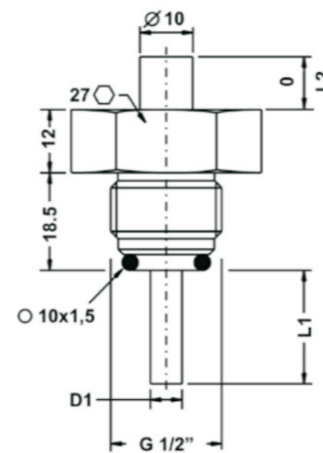
■ Thermometer probe of model PT measure temperatures, display measured values and hand over control signals as well an analogue output signals to processes. Switching points and hysteresis are changeable via two buttons on the display. Together with a wide measuring range the PT switch is suitable for numerous. Dimensions process thread, stem length diameters can be arranged flexibly atching into your application.



without process connection



G 1/2"



G 1/2"
front flush O-ring gasket

电子数显温度开关 Ordering Code

ETA-{1}-{2}-{3}-{4}-{5}-{6}

ETA:

		输出信号 Signal output
	10	1个开关量输出 1 switching output
	20	2个开关量输出 2 switching output
	11	1个开关量输出,1个模拟量输出 1 output, 1 analog output
1	21	2个开关量输出,1个模拟量输出 2 output, 1 analog output
		精度 Accuracy
	1	Switching output: +_(PT100-accuracy acc.To IEC 751, classB)+0.2k Analogue output t: +_(PT100-accuracy acc.To IEC 751, classB)+0.2k +0.2% of F.S Display t: +_(PT100-accuracy acc.To IEC 751, classB)+0.2k+1/2digit
		量程 Measuring range
	0/100	见表格4 see table 4
3	999	其他 others
		过程连接 process connection
	Gxx	DIN标准平管螺纹G(如G1/4,G1/2)
4	???	探杆长度直径可选 others
		探杆长度 Stem length
	1	见表格5 see table 5
5	999	最长可达9999mm longer than 9999mm
		探杆直径 Stem dia
	04	4mm
	06	6mm
	08	8mm
	10	10mm
	12	12mm
6	999	其他 others
		电气接口 Electrical connection
	1	Round connector M12*1
7	2	Others see table 1
		优化选型 Optional
	zz	无 No
8	999	其他 others